

# Kitchen Mixer with Pull-Out



**EN** Installation Instructions

---

### *Notes prior to installation*

1. Inspect all parts prior to installation for suitability and/ or defects.
2. Any suspected defect should be reported as soon as possible.
3. Should any product be installed despite a fault having been found and reported, argent will not accept liability for the cost of labour to remove and install any replacement product/s.
4. This product complies with the requirement of Lead-Free standards as defined in the National Construction Code Volume 3 and is suitable for use as part of Lead-Free installation.

### *Notes for installation*

1. Please ensure pipework is clear of debris by flushing lines prior to installation.
2. We recommend hot and cold water isolation stops are used - not included in supply.
3. Mixers that feature pull out hoses are fitted with non-return valves for backflow prevention.



### *Pressure and temperature requirements*

1. Inlet pressure range 100 - 500 kPa.
2. Maximum hot water temperature 60 °C.
3. AS/NZS 3500 requires 500 kPa maximum operating pressure at any outlet within a building.
4. Hot & Cold inlets should have equalised water pressures.

### *Notes to the installer*

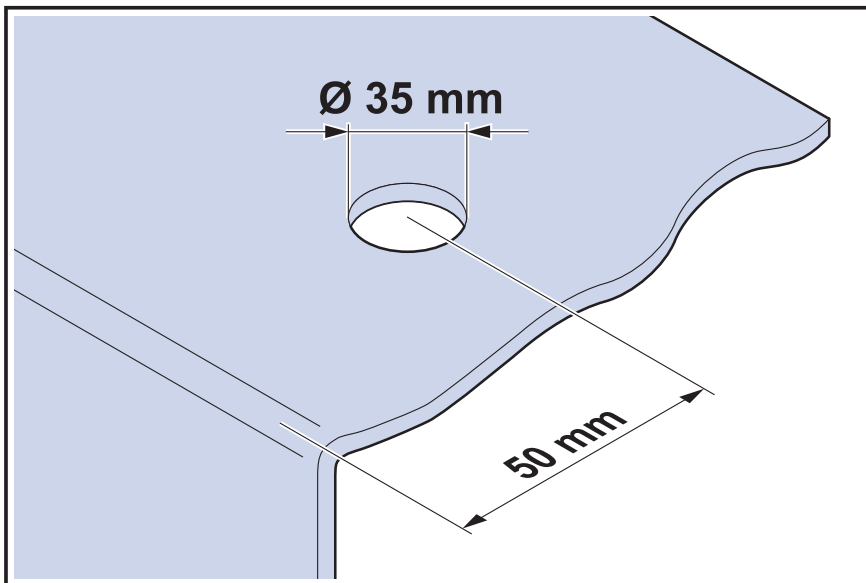
- Twisting or stretching the flexible hoses during installation may result in failure, and will void the warranty.
- Avoid severe bends in the flexible hoses as this may result in failure and will void the warranty.

### *Cleaning and maintenance*

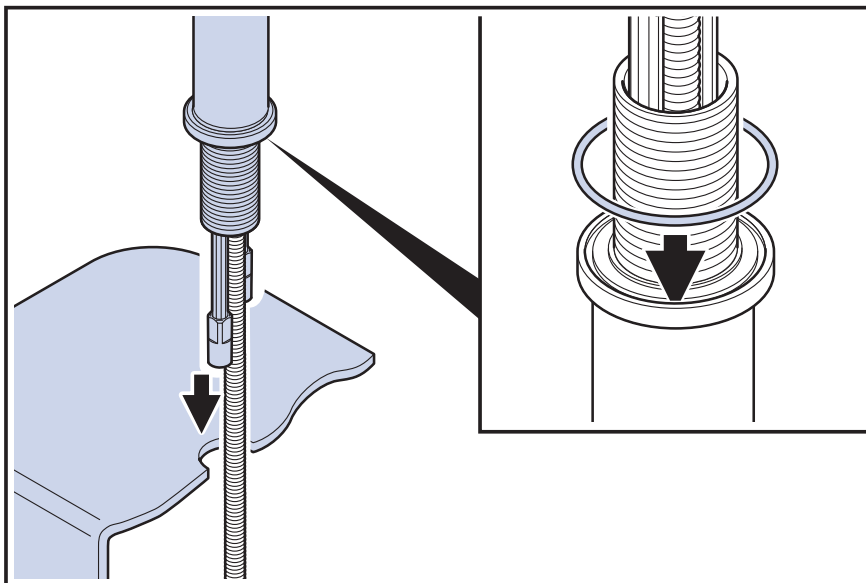
- The special surface finish only requires cleaning with mild household detergent and dry with a clean cotton cloth to retain its lustrous shine.
- Avoid cleaning with abrasiv materials or cleaners.

Or

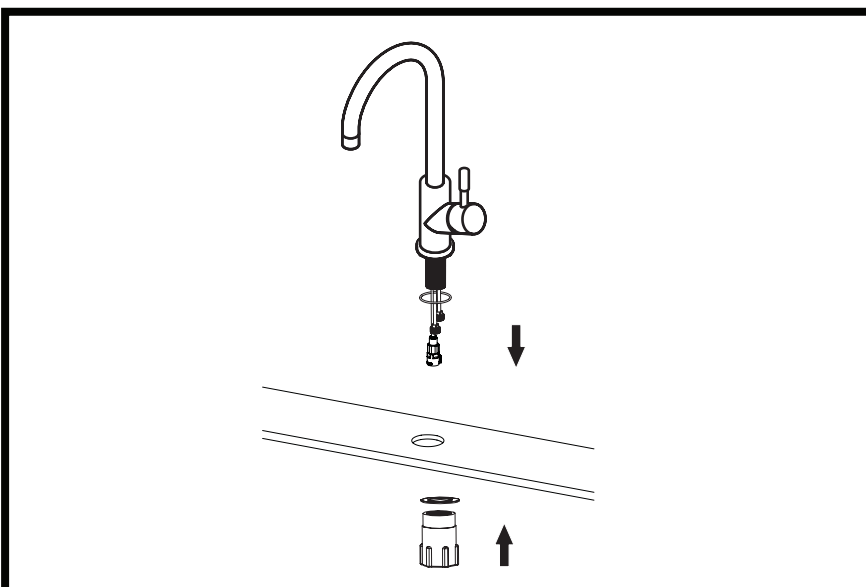
- Use a soft cloth (e.g. microfibre) with warm water or a mild liquid soap and water to wipe the surface clean. Immediately wipe dry with a soft cloth. Do not use undue pressure when wiping.
- Never use harsh chemical detergents, solvents or acidic cleaners, limescale remover, household vinegar or abrasive cleaning agents for cleaning.
- Never use abrasive cloths, sponges and scouring pads, as they may scratch or damage the finish.
- Personal hygiene products (e.g. toothpaste, shampoo, shower gel, etc.) can damage the finish of your product and should be cleaned off immediately.



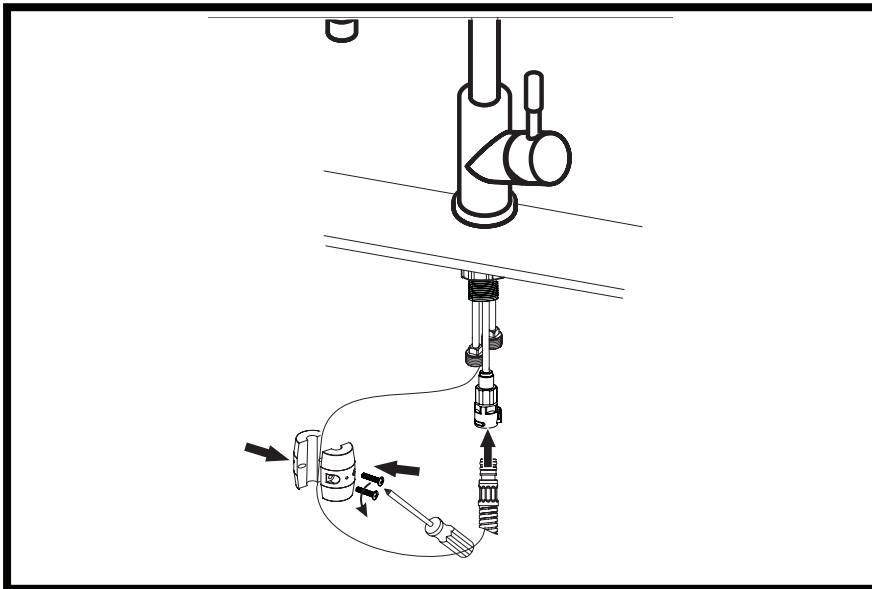
Where the mixer is going into a stone or laminate top, cut a Ø35mm hole.



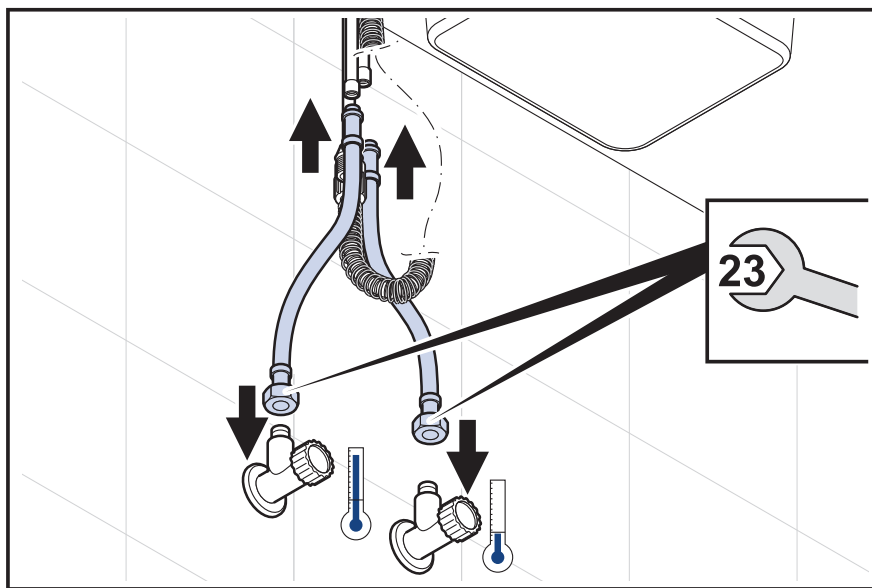
Place the mixer in the sink ensuring that the rubber ring is placed between the tap body and sink.



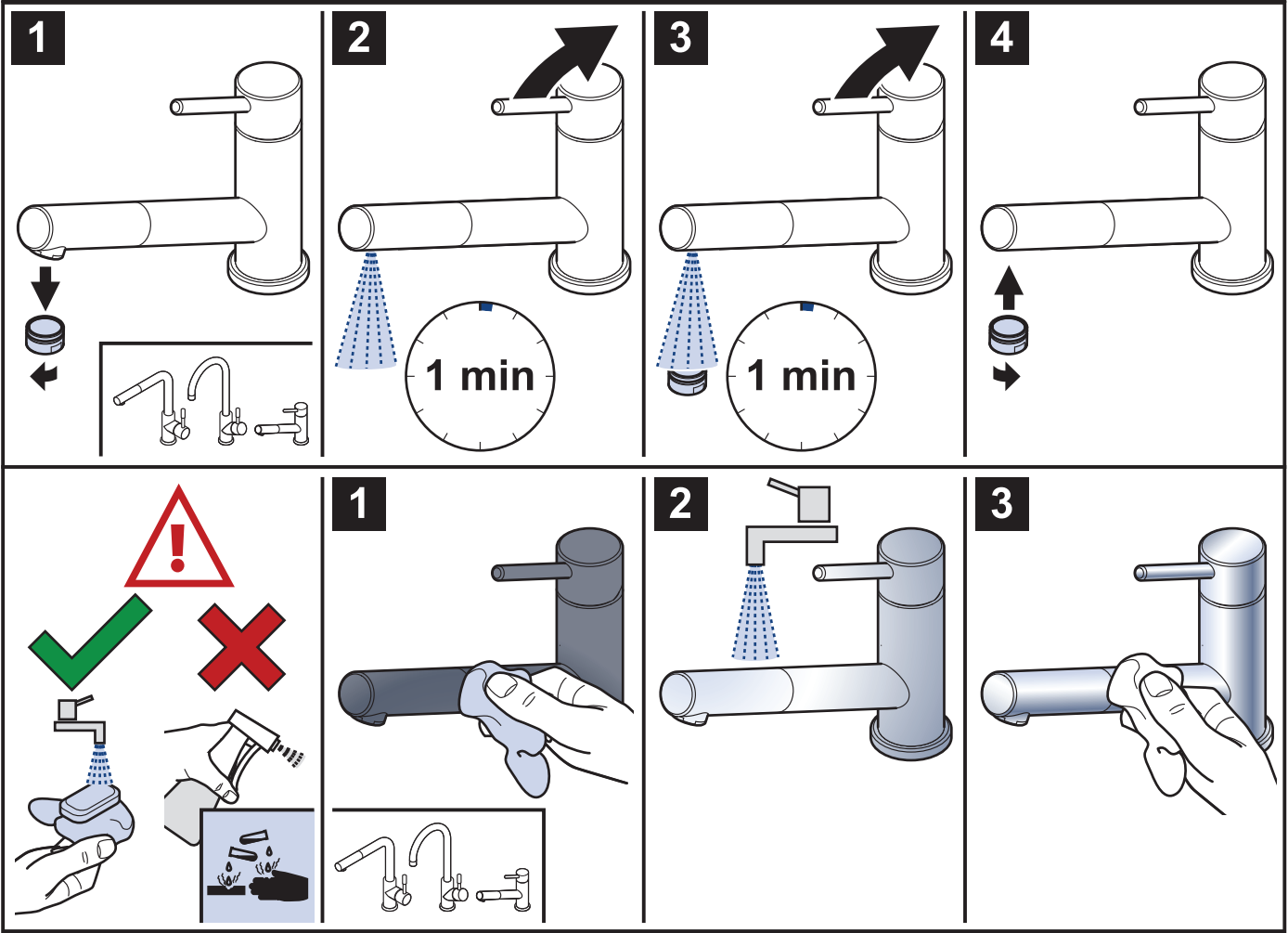
Fit the rubber gasket and Fixing Plate into position under bench top, fasten with the plastic nut (Black). Fixing Plate (holder) not required for solid bench tops.



Connect the pull out hose. Disassemble the weight and attach it on the pull out hose at the bottom of the hose loop.



Assemble the flexible hoses for hot and cold water supply to the connection pipes with the red and blue marking. Then connect the hoses to their respective water supplies.





Argent Australia  
L1/22 Arthur Street, Foritude Valley QLD 4006  
1300 364 748  
[www.argentaust.com.au](http://www.argentaust.com.au)



Villeroy & Boch AG  
Postfach 12 30-66689 Mettlach, Germany  
Tel: +49 (0) 6864816000  
[www.villeroy-boch.com](http://www.villeroy-boch.com)

Please Direct any feedback for this product to Customer Central:  
[support@customer-central.com.au](mailto:support@customer-central.com.au) or call 1300 364 748

The manufacturer reserves the right to make alterations without notice.